

Piping Stress Consulting Services Case Study 2020



Detail Design calculation , Piping Stress Analysis and Detail fabrication Drawing for Condenser-vaccum unit Inter connecting Piping

THE CLIENT

A Europe-based client offering an array of customized solutions to chemical ,pharmaceutical, petrochemical, oil refinery, power generation and waste treatment.

THE BUSINESS NEED

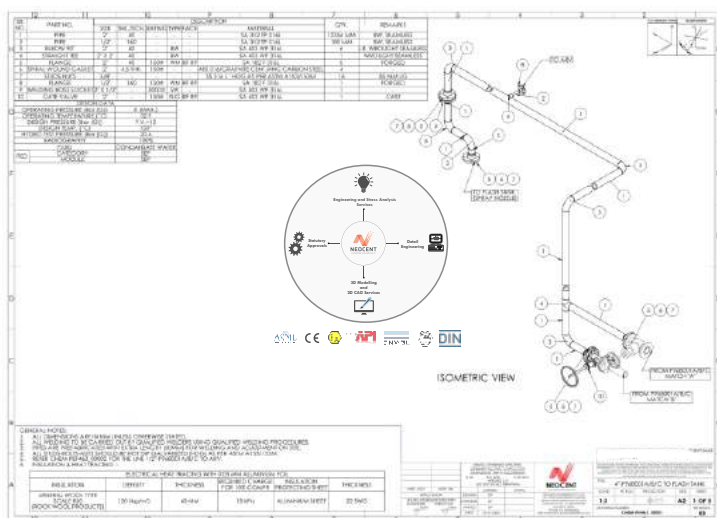
Our client was seeking engineering design assistance for a equipments (ASME U-stamp)design along with interconnecting piping routing. Client wanted Piping Stress Analysis on Equipments Inter connecting piping and Pipe support design and manufacturing drawing.

NEOCENT SOLUTION & DELIVERABLE

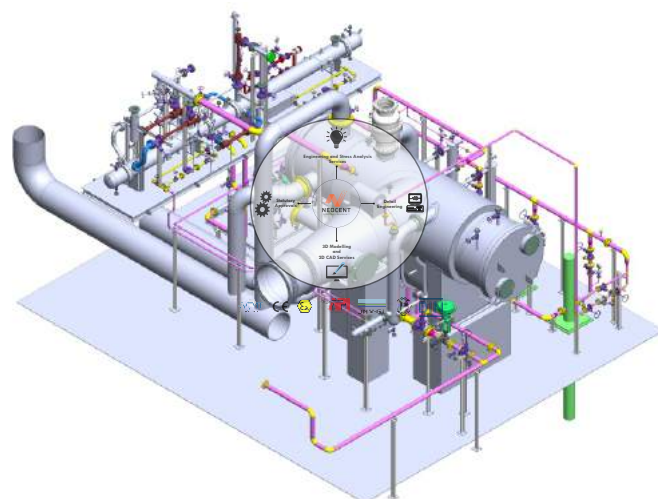
Detail Engineering : Pipe stress analysis for pipe Support, Pipe Support Design, Foundation load calculation etc.

CAD Detailing : Pipe Isometric drawing , Piping Support fabrication Drawing, Lifting and Erection Drawing.

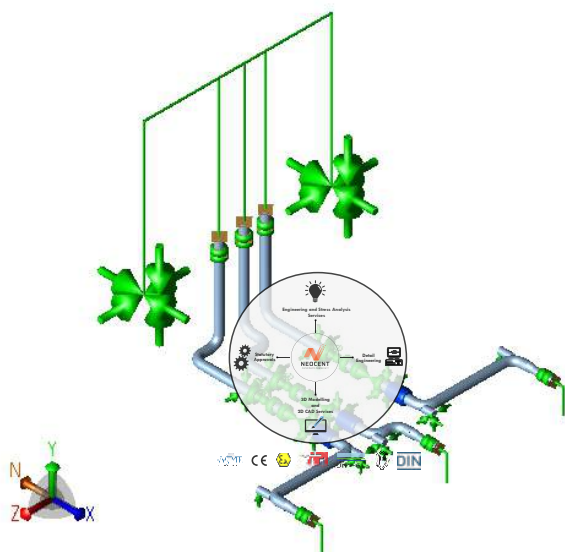
Analysis : Piping Stress Analysis as per B31.3 process Piping, Equipment Nozzle WRC 107/297 FEA.



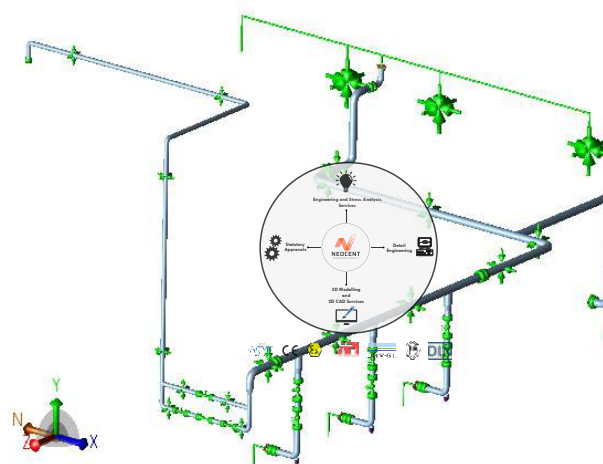
Isometric piping Routing drawing including M.T.O.



3D detail Modeling along with Inter-connecting pipe routing



Pump Suction Routing FEA analysis



Pump Discharge Routing FEA analysis

Detail Design calculation , Piping Stress Analysis and Detail fabrication Drawing for Condenser-vaccum unit Inter connecting Piping

THE CLIENT

A Europe-based client offering an array of customized solutions to chemical ,pharmaceutical, petrochemical, oil refinery, power generation and waste treatment.

THE BUSINESS NEED

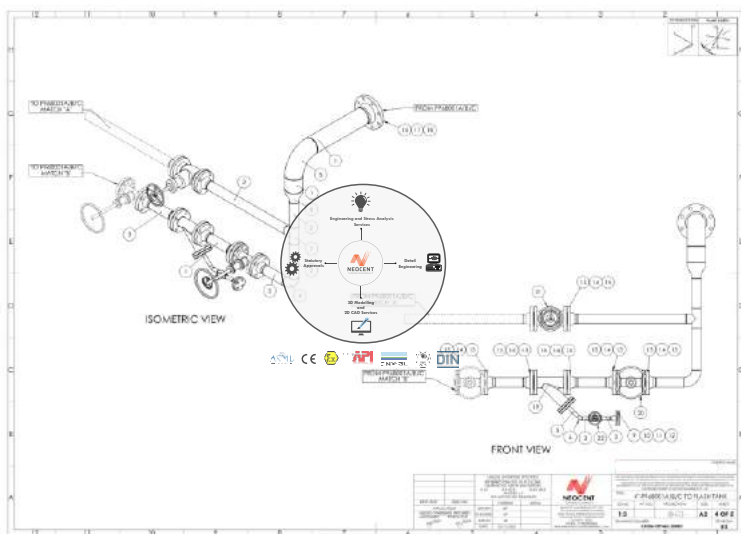
Our client was seeking engineering design assistance for a equipments (ASME U-stamp)design along with interconnecting piping routing. Client wanted Piping Stress Analysis on Equipments Inter connecting piping and Pipe support design and manufacturing drawing.

NEOCENT SOLUTION & DELIVERABLE

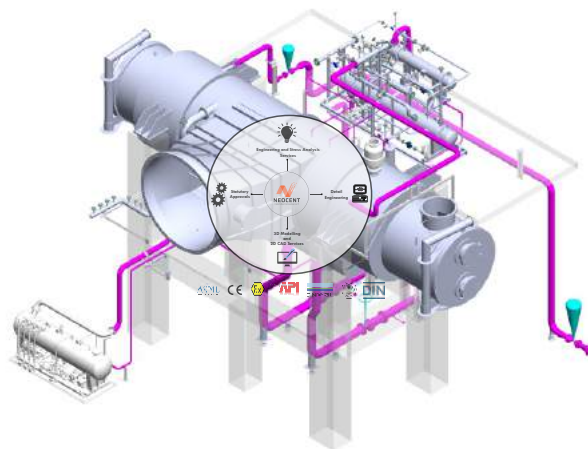
Detail Engineering : Pipe stress analysis for pipe Support, Pipe Support Design, Foundation load calculation etc.

CAD Detailing : Pipe Isometric drawing , Piping Support fabrication Drawing, Lifting and Erection Drawing.

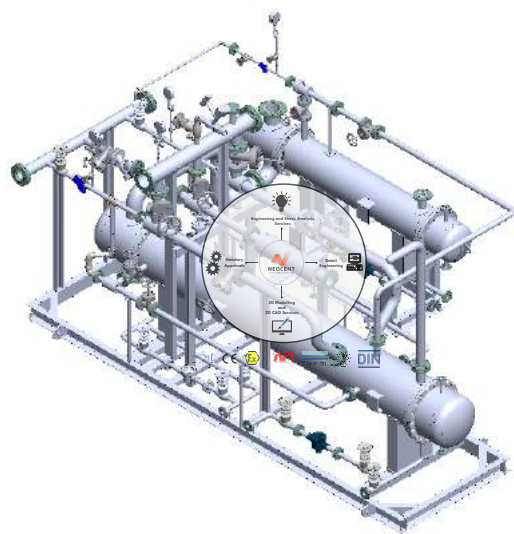
Analysis : Piping Stress Analysis as per B31.3 process Piping, Equipment Nozzle WRC 107/297 FEA.



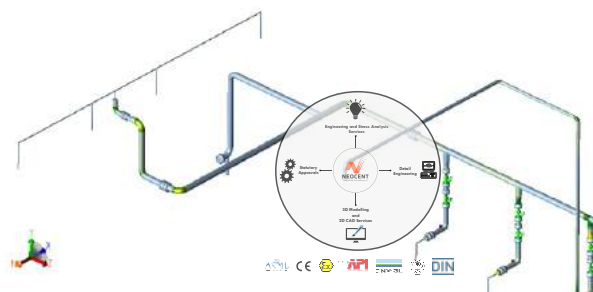
Isometric Piping Drawing along with M.T.O.



3D detail Modeling along with Inter-connecting pipe routing



3D CAD Detailing on Vacuum System



Piping Stress Analysis_ Inter connecting pipe Routing

Detail Design calculation , Piping Stress Analysis and Detail fabrication Drawing for Gland Steam Condenser Skid package

THE CLIENT

A UK-based client offering an array of customized solutions to chemical ,pharmaceutical, petrochemical, oil refinery, power generation and waste treatment.

THE BUSINESS NEED

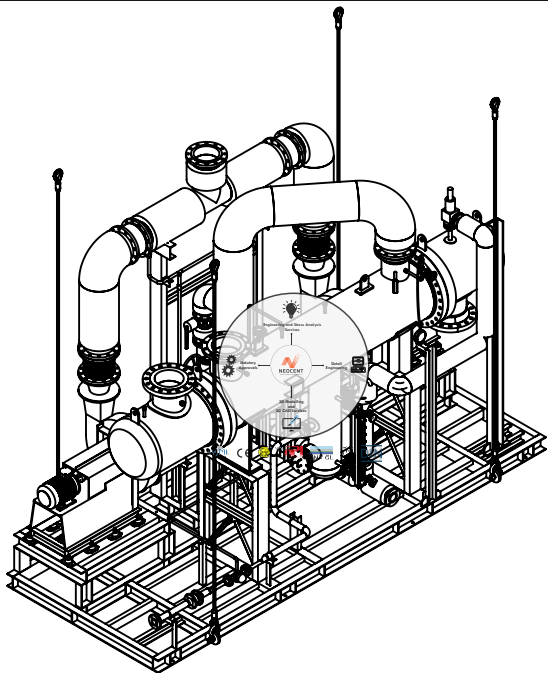
Our client was seeking engineering design assistance for a equipments (ASME U-stamp)design along with interconnecting piping routing. Also Piping stress analysis need to verify piping load with ASME B31.1 code along with Piping support Structure design.

NEOCENT SOLUTION & DELIVERABLE

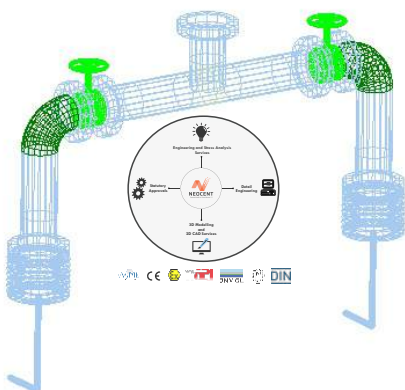
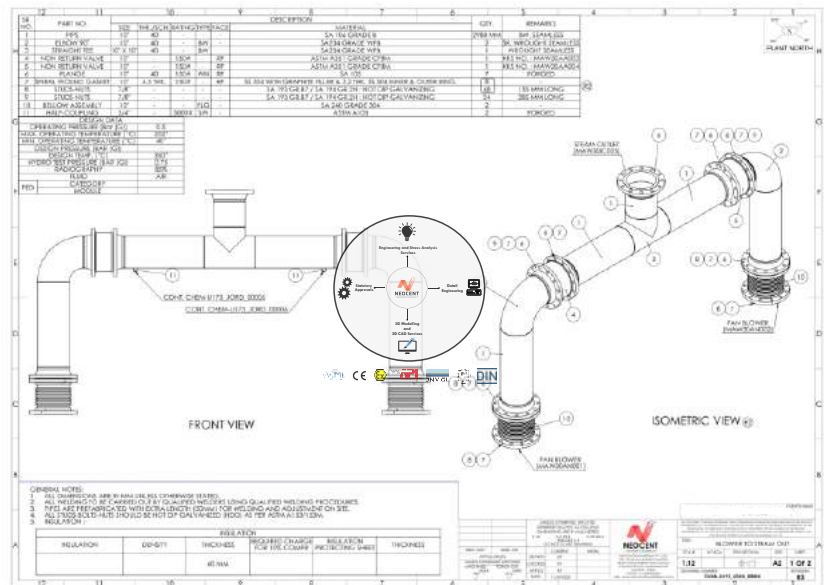
Detail Engineering : Pipe stress analysis for pipe Support, Pipe Support Design, Foundation load calculation etc.

CAD Detailing : Pipe Isometric drawing , Piping Support fabrication Drawing, Lifting and Erection Drawing.

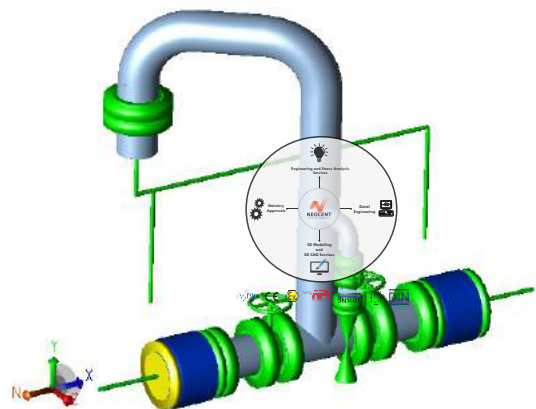
Analysis : Piping Stress Analysis, WRC 207/297 Nozzle FEA.



Details 3D CAD Modeling GSC Skid Package



Piping Stress Analysis_ Discharge air routing



Piping Stress Analysis_ Suction routing

Neocent Engineering Services is a multi-discipline engineering services company. Established in 2015, we offer high-quality engineering support solutions to global EPC organizations across some of the industries listed: Automotive, Aerospace, Turbo machinery, Heavy engineering, HVAC, Oil & Gas, Material handling and Process industry.

Neocent provides detailed engineering services to EPC, EPCM, OEM, and PMC as long-term turnkey projects. Our EPCM services include Project Management, Feasibility Studies, Conceptual & Basic Engineering, Detailed Design, Procurement, Construction Management, Commissioning & Start-up, and Operations & Maintenance.

Neocent Engineering's service offering, include;

- Engineering and Stress Analysis Services
- Details Engineering
- 3D Modelling and 2D CAD Services
- Statutory Approvals

Neocent Engineering specializes in "Piping Stress Analysis" work following ASME B31.1, B31.4, B31.8, B31.11, BS EN 13480, BS EN 14364, SHELL DEP etc.

Our Piping stress engineering team have years of experience with piping system design and piping stress analysis. We provide full-service pipe design stress analysis services, from initial concept through final construction.

Piping Stress Analysis Consulting Services

- Seismic, Static & Dynamic Load Analysis
- Piping Flexibility calculation
- Piping Support Selection and Design
- Spring and Special Support Design
- Flange Leakage Checking
- Analysis of Jacket piping ducting , Buried piping
- Solution on Piping Vibration problems

Piping Stress Analysis is our forte, and our teams have a long and wide range of project experience to carry out the full spectrum of stress analysis services for piping system and piping flexibility analysis. We conduct detailed piping stress analysis, evaluation, and confirmation of the structural & Operational integrity of process piping system.

In brief, clients come to us when they need high-quality work executed and documented to withstand the most rigorous reviews.



sales@neocentengineering.com



India Contact : +91- 8000 860 806
Canada Contact : +1 (226)961-5067



www.neocentengineering.com



129-130 D Shyam Shrusti Complex,
Opp Podar School,
Kudasan Road, Gandhinagar-382421