

Detail Design calculation , FEA Stress Analysis and Detail fabrication Drawing for Surface condenser along with vacuum units

THE CLIENT

A Europe-based client offering an array of customized solutions to chemical ,pharmaceutical, petrochemical, oil refinery, power generation and waste treatment.

THE BUSINESS NEED

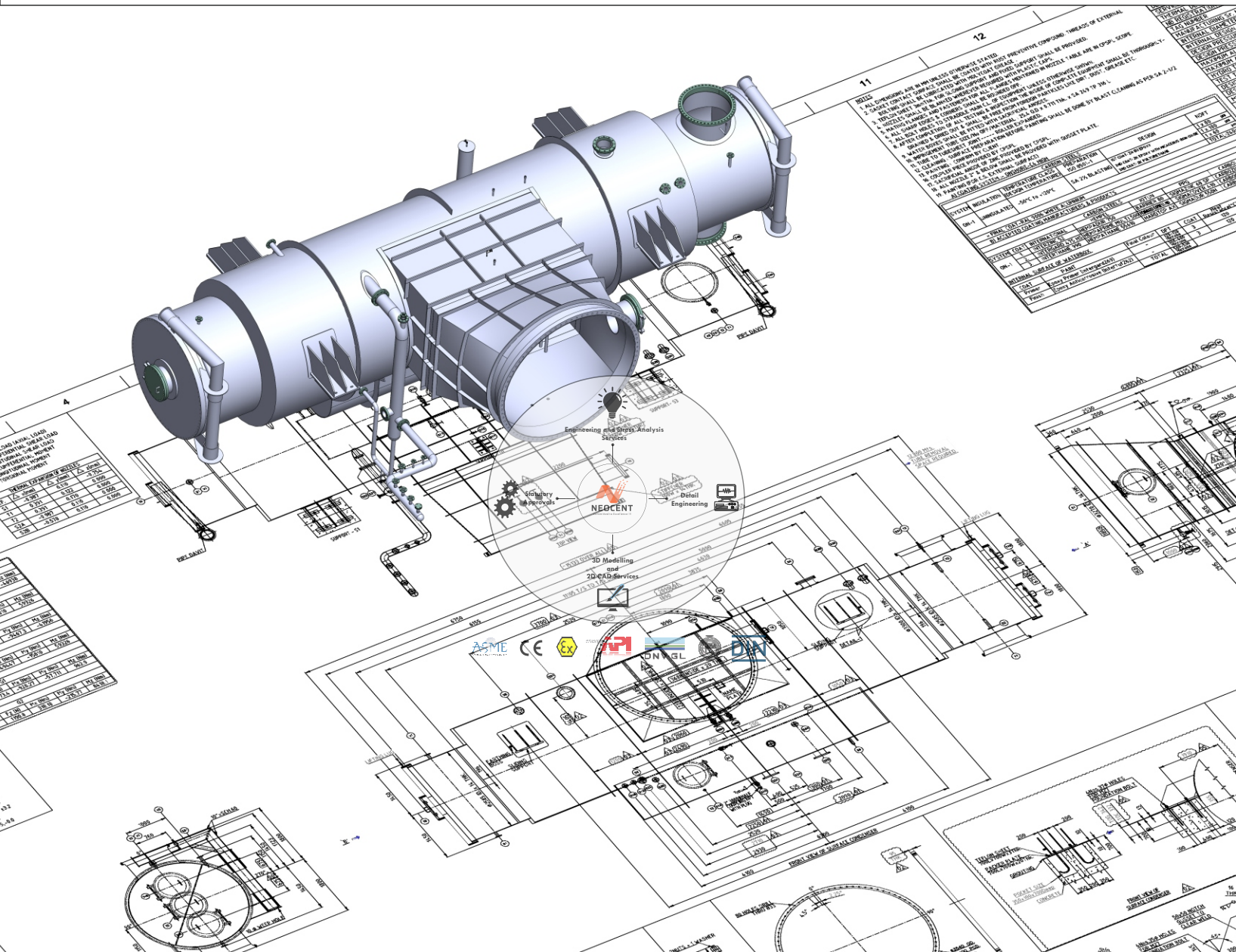
Our client was seeking engineering design assistance for a equipments (ASME U-stamp)design along with interconnecting piping routing. Client wanted Stress simulation on Equipments for TUV Nord certification approval process along with piping stress analysis.

NEOCENT SOLUTION & DELIVERABLE

Detail Engineering : Mechanical and thermal detail design on Condenser and vessel, Pipe stress analysis for pipe Support, Pipe Support Design, Foundation load calculation etc.

CAD Detailing : G.A. Drawing , Details fabrication drawing ,3D plant Modeling, Pipe Isometric drawing , Piping Support fabrication Drawing, Lifting and Erection Drawing.

Analysis : Piping Stress Analysis , Vessel Stress analysis (Code: ASME Sec VIII Div 2) ,Skid Structure Stress Analysis with IBC-2015, ASCE 7-10.



Neocent Engineering Services is a multi-discipline engineering services company. Established in 2015, we offer high-quality engineering support solutions to global EPC organizations across some of the industries listed: Automotive, Aerospace, Turbo machinery, Heavy engineering, HVAC, Oil & Gas, Material handling and Process industry.

Neocent provides detailed engineering services to EPC, EPCM, OEM, and PMC as long-term turnkey projects. Our EPCM services include Project Management, Feasibility Studies, Conceptual & Basic Engineering, Detailed Design, Procurement, Construction Management, Commissioning & Start-up, and Operations & Maintenance.

Neocent Engineering's service offering, include;

- Engineering and Stress Analysis Services
- Details Engineering
- 3D Modelling and 2D CAD Services
- Statutory Approvals

3D Modeling and 2D Detailing Consulting Services

Neocent Engineering offers a vast-domain industry experience with a plethora of CAD design and drafting services, Catering to companies various 2D Design requirements. Our team can create an accurate 2D representation of your simple sketch, a detailing drawing, or a full-scale 3D model.

- Preparation of PMS & Material requisition.
- Modeling of Civil/structural elements such as equipments foundation, Platform and walkways(or ladders, railings, manholes, envelopes, pipe rack, skid base frame, lifting lug, or anchor bolts), with input from detailed 2D Drawing in DWG format.
- Piping Support Modeling as per industry standard along with inter connecting pipe routing design and details 2D isometric drawing for fabrication.
- Multi Disciplinary 3D CAD Design model helps implement the extraction of equipments layouts, general arrangement drawing, Piping isometric, nozzle orientation drawing, fabrication drawing, and material take off (MTO)/ bill of material(BOM).

Neocent Engineering offers a full range of 3D Design and service. We offer multi disciplinary plant modeling services involving the manner in which optimum piping routes are developed from an operational, maintenance and safety perspective. Our team of expert CAD professionals and design engineers collaborate with EPCs, Engineering consultancies, and OEMs to deliver quality 3D modeling services. With extensive on site experience, Our team creates real time walkthrough as digital models, Offering a comprehensive understanding of the facility before construction begins.

In brief, clients come to us when they need high-quality work executed and documented to withstand the most rigorous reviews.

Contact Details

Email : sales@neocentengineering.com

Website : www.neocentengineering.com

Linked in : <https://www.linkedin.com/company/neocent-engineering>

India Contact : +91- 8000 860 806

Canada Contact : +1 (226)961-5067

Disclaimer :

All Content/Information present here is the exclusive property of Neocent Engineering Pvt. Ltd (NEPL). The Content/Information herein merely represents and highlights the nature of work and projects successfully undertaken by NEPL and is not intended to be advisory in nature. No representation or warranty, express or implied is made with regards to the contents of the said Document, and the recipients of this Document should not place undue reliance on this Document and should use their own independent prudent judgment while entering into a contractual relationship with NEPL based on the information contained in this Document. The contents of this document, including without limitation, details about services, pricing information, forward looking statements, capabilities and results are liable to vary on a case to case basis, due to factors beyond NEPL's control. All opinions expressed by any Third Party that form part of the contents of this document are such Third Party's own independent opinions and NEPL assumes no responsibility for the same. That except for entering into a business relationship with NEPL, no material from here may be copied, modified, reproduced, republished, uploaded, transmitted, posted or distributed, or used for any commercial purpose whatsoever, without the express written consent of NEPL. All content/information provided herein is protected by stringent contracts, statutes and applicable Intellectual Property Laws. Unauthorized use of the content/information appearing here may violate copyright, trademark and other applicable laws, and could result in criminal or civil penalties.